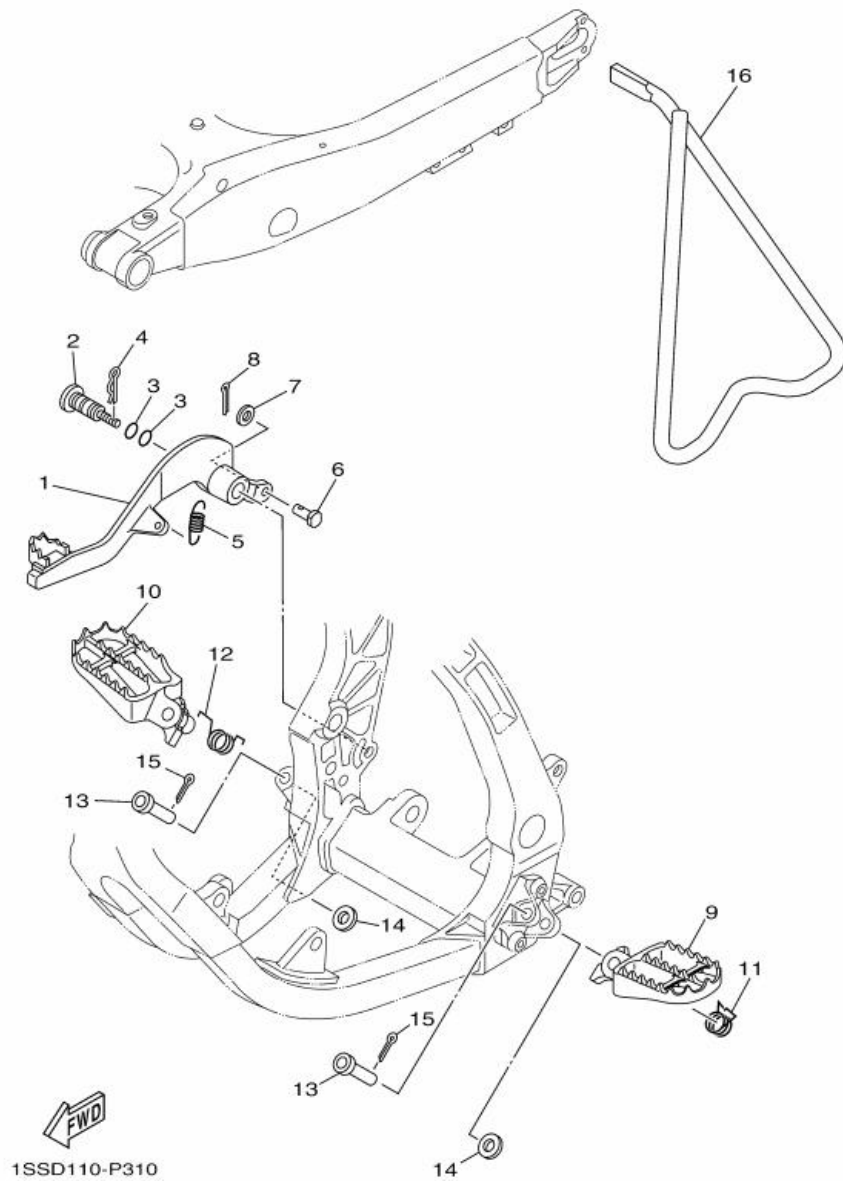


Fig. 31 STAND & FOOTREST



Ref. No.	Part No.	Description		Remarks
1	4XM-27200-21	PEDAL, BRAKE	1	
2	1C3-27217-10	BOLT	1	
3	93210-11073	O-RING	2	
4	90468-16001	CLIP	1	
5	90506-16007	SPRING, TENSION	1	
<hr/>				
6	90240-08120	PIN, CLEVIS	1	
7	90201-08044	WASHER, PLATE	1	
8	91402-20012	PIN, COTTER	1	
9	17D-27411-00	FOOTREST 1	1	
10	17D-27421-00	FOOTREST 2	1	
<hr/>				
11	90508-28015	SPRING, TORSION	1	
12	90508-28018	SPRING, TORSION	1	
13	90240-10004	PIN, CLEVIS	2	
14	90201-10032	WASHER, PLATE	2	
15	91402-25015	PIN, COTTER	2	
<hr/>				
16	1C3-27311-00	STAND, SIDE	1	
<hr/>				
<hr/>				
<hr/>				