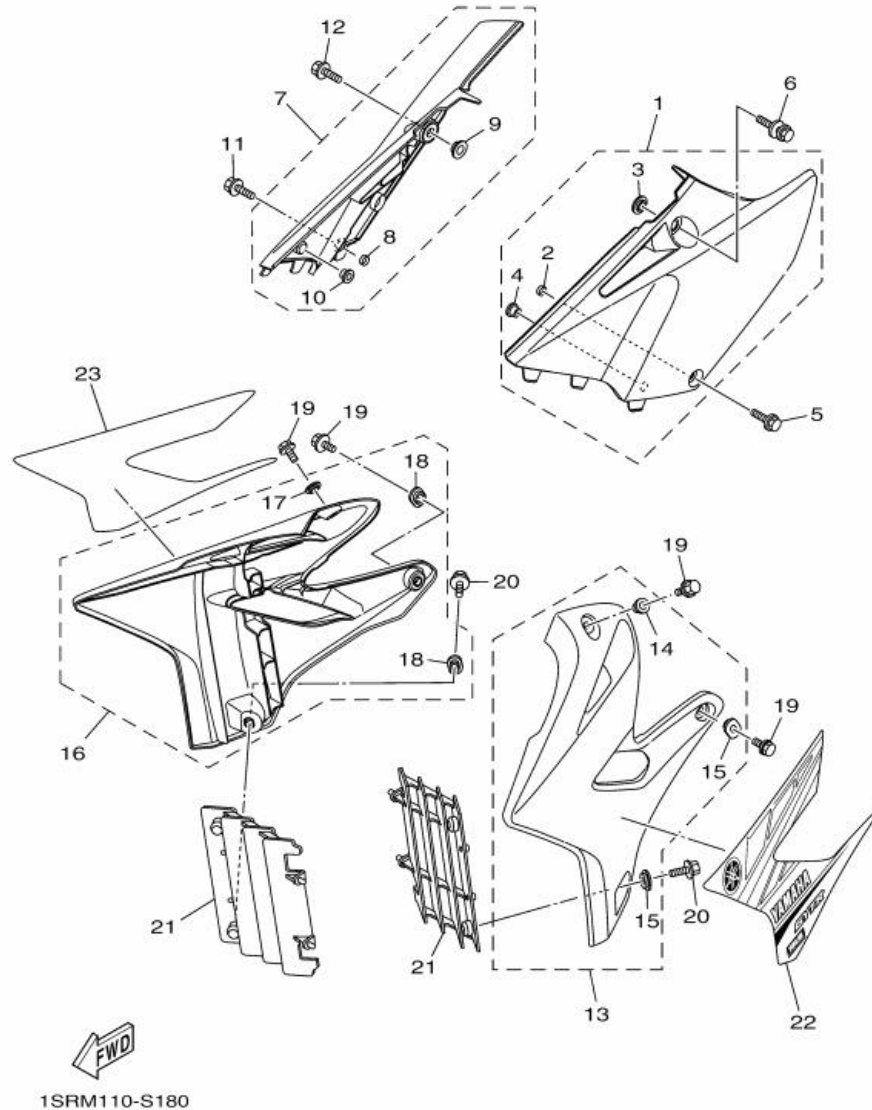


Fig. 18 SIDE COVER



Ref. No.	Part No.	Description		Remarks
1	1SS-21710-00	SIDE COVER ASSY 1	1	
2	90387-060U2	. COLLAR	1	
3	5BE-21749-00	. COLLAR	1	
4	90480-10068	. GROMMET	2	
5	90109-06304	BOLT	1	
6	90119-08095	BOLT, WITH WASHER	1	
7	1SS-21720-00	SIDE COVER ASSY 2	1	
8	90387-060U2	. COLLAR	1	
9	5BE-21749-00	. COLLAR	1	
10	90480-10068	. GROMMET	1	
11	90109-06304	BOLT	1	
12	90119-08095	BOLT, WITH WASHER	1	
13	1SS-21730-00	SIDE COVER ASSY 3	1	
14	90387-06009	. COLLAR	1	
15	5TA-21749-00	. COLLAR	2	
16	1SS-21740-00	SIDE COVER ASSY 4	1	
17	90387-06009	. COLLAR	1	
18	5TA-21749-00	. COLLAR	2	
19	90105-06064	BOLT, FLANGE	4	
20	90159-06021	SCREW, WITH WASHER	2	
21	5NL-2172A-20	PANEL 1	2	
22	1SS-2173E-50	GRAPHIC 1	1	
23	1SS-2173F-50	GRAPHIC 2	1	