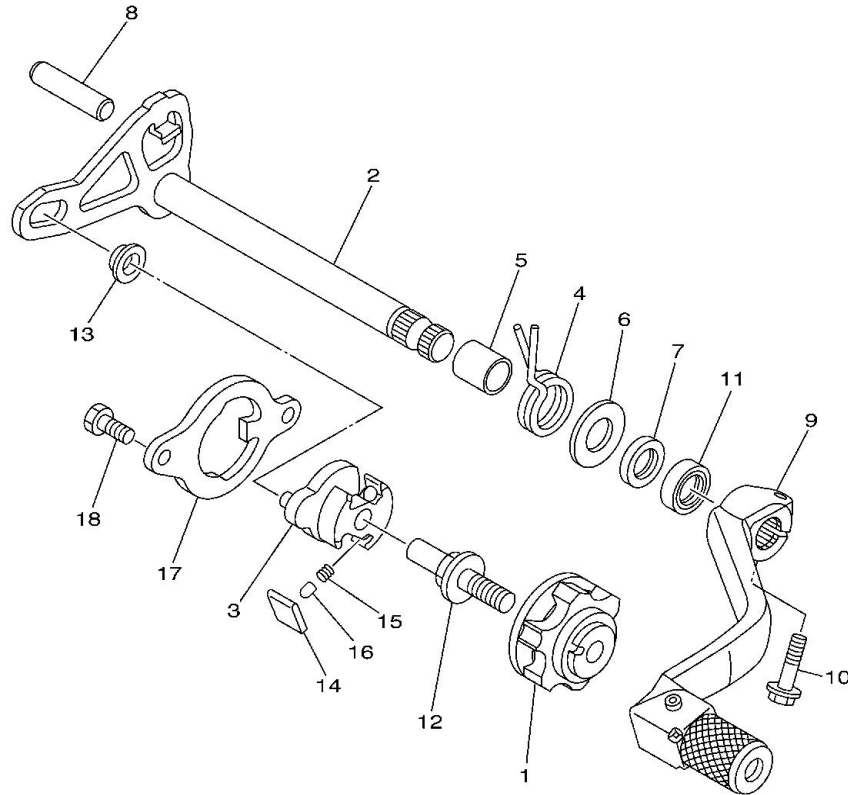


Fig. 15 SHIFT SHAFT



Ref. No.	Part No.	Description		Remarks
1	1C3-18185-00	SEGMENT	1	
2	1C3-18101-00	SHIFT SHAFT ASSY	1	
3	5LP-18122-01	LEVER, SHIFT 2	1	
4	90508-29020	SPRING, TORSION	1	
5	90560-12280	SPACER	1	
<hr/>				
6	90201-12020	WASHER, PLATE	1	
7	93104-12003	OIL SEAL	1	
8	93608-33002	PIN, DOWEL	1	
9	1C3-18110-00	SHIFT PEDAL ASSY	1	
10	95022-06020	BOLT, FLANGE	1	
<hr/>				
11	93102-12224	OIL SEAL	1	
12	3XJ-18173-10	PIN, SHIFT	1	
13	3XJ-18178-00	ROLLER, SHIFT LEVER	1	
14	3XJ-18182-00	PAWL, SHIFTER	2	
15	90501-052G5	SPRING, COMPRESSION	2	
<hr/>				
16	3XJ-18184-00	PIN, PAWL	2	
17	1C3-18172-00	GUIDE, SHIFT	1	
18	90101-06041	BOLT	2	
<hr/>				
<hr/>				



1C31100-D150