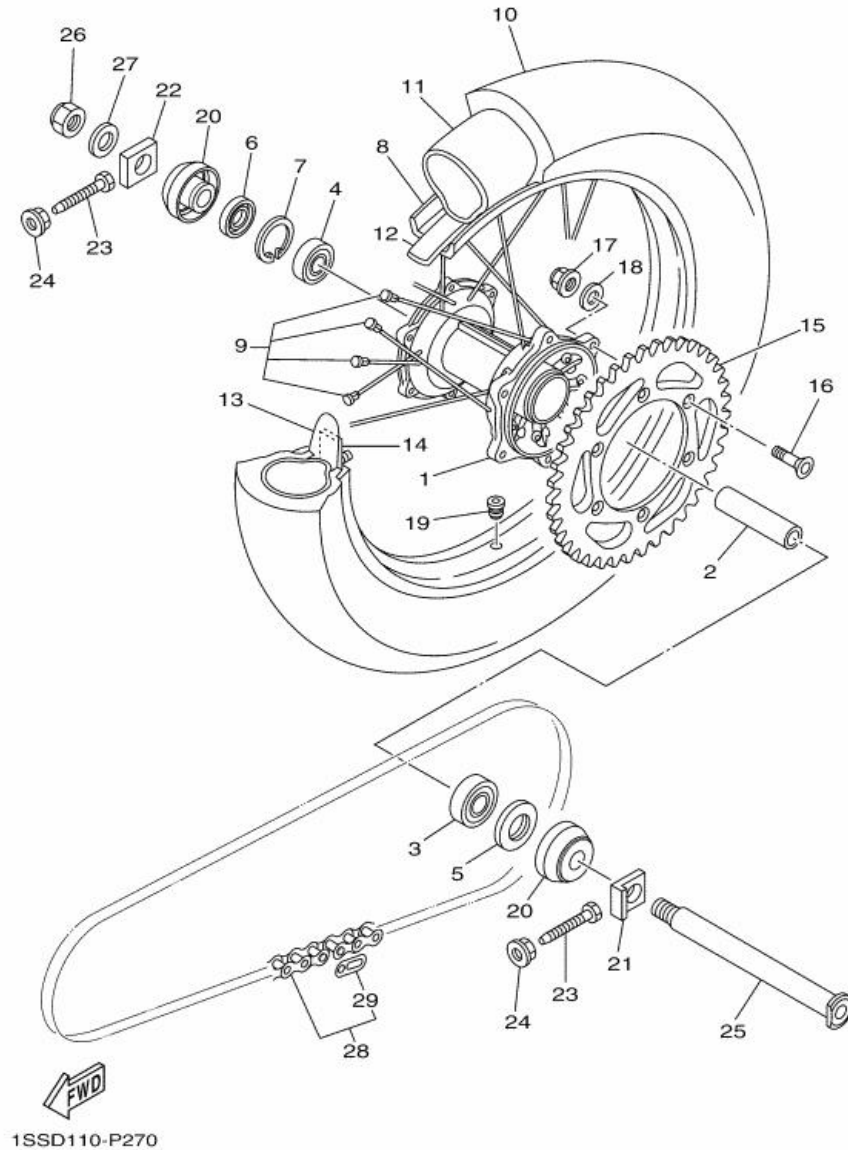
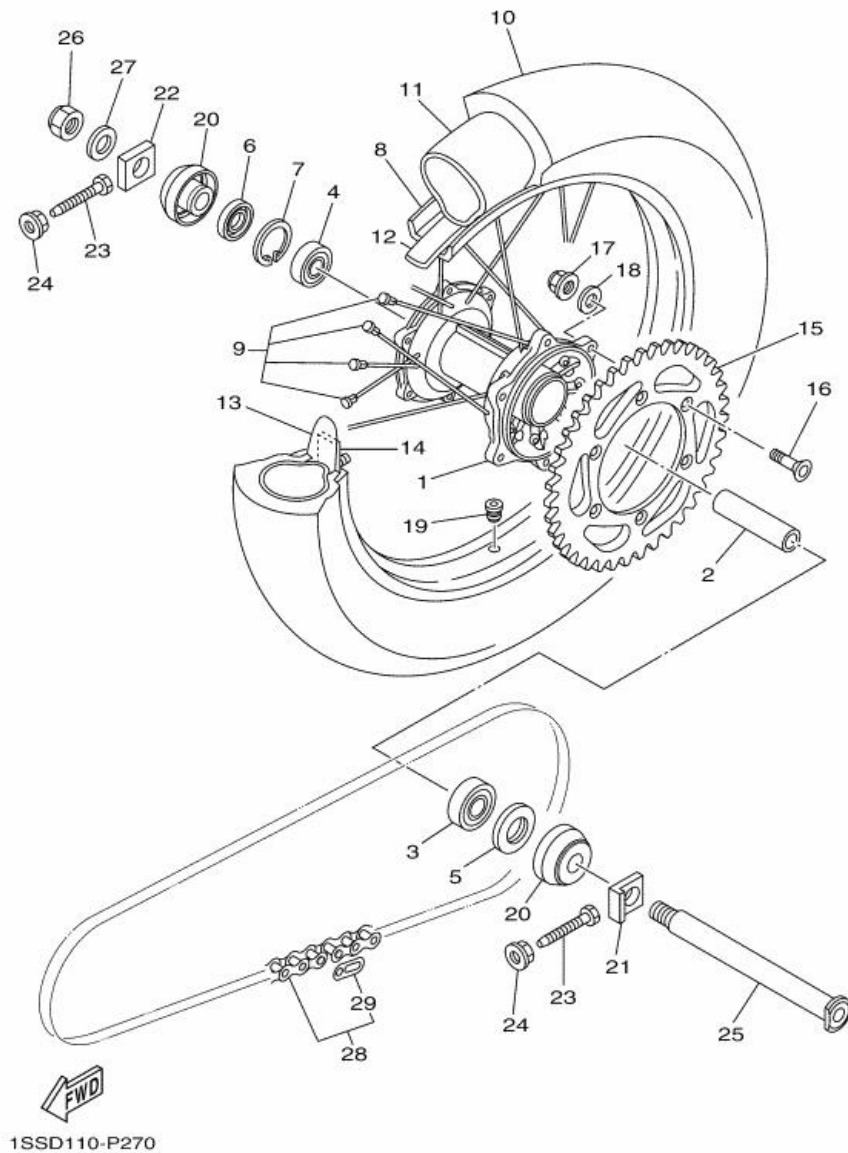


Fig. 27 REAR WHEEL



Ref. No.	Part No.	Description		Remarks
1	5ET-25311-00	HUB, REAR	1	
2	5ET-25317-00	SPACER, BEARING	1	
3	93306-27212	BEARING	1	
4	93306-07202	BEARING	1	
5	93106-30001	OIL SEAL	1	
6	93106-30045	OIL SEAL	1	
7	99009-45500	CIRCLIP	1	
8	94418-19038	RIM (1.85-19)	1	
9	5HD-25304-00	SPOKE SET, REAR	1	
10	94110-19028	TIRE (100/90-19 57M MX52)	1	DUNLOP
11	94210-19224	TUBE (100/90-19 M/C TR4 BTL)	1	DUNLOP
12	94321-19135	BAND, RIM (22-19)	1	DUNLOP
13	4XM-25394-00	SPACER, BEAD	1	
14	4XM-25364-00	DAMPER	1	
15	17D-25448-50	SPROCKET, DRIVEN (48T)	1	STD
17D-25447-50	SPROCKET, DRIVEN (47T)	1	AP	
17D-25449-50	SPROCKET, DRIVEN (49T)	1	AP	
17D-25450-50	SPROCKET, DRIVEN (50T)	1	AP	
17D-25451-50	SPROCKET, DRIVEN (51T)	1	AP	
17D-25452-50	SPROCKET, DRIVEN (52T)	1	AP	
16	90109-08078	BOLT	6	
17	90185-08008	NUT, SELF-LOCKING	6	
18	90201-08048	WASHER, PLATE	6	
19	90480-08608	GROMMET	1	
20	5TJ-2530S-80	COLLAR ASSY	2	
21	1C3-25388-H0	PULLER, CHAIN 1	1	
22	1C3-25389-H0	PULLER, CHAIN 2	1	

Fig. 27 REAR WHEEL



Ref. No.	Part No.	Description		Remarks
	23 90101-08006	BOLT	2	
	24 90179-08019	NUT	2	
	25 1C3-25381-90	AXLE, WHEEL	1	
	26 90185-20002	NUT, SELF-LOCKING	1	
	27 90201-20020	WASHER, PLATE	1	
	28 9Y582-28111	CHAIN (DID520DMA2-112LL)	1	
	29 94682-28001	. JOINT, CHAIN(DID520DM G&B-RJ)	1	