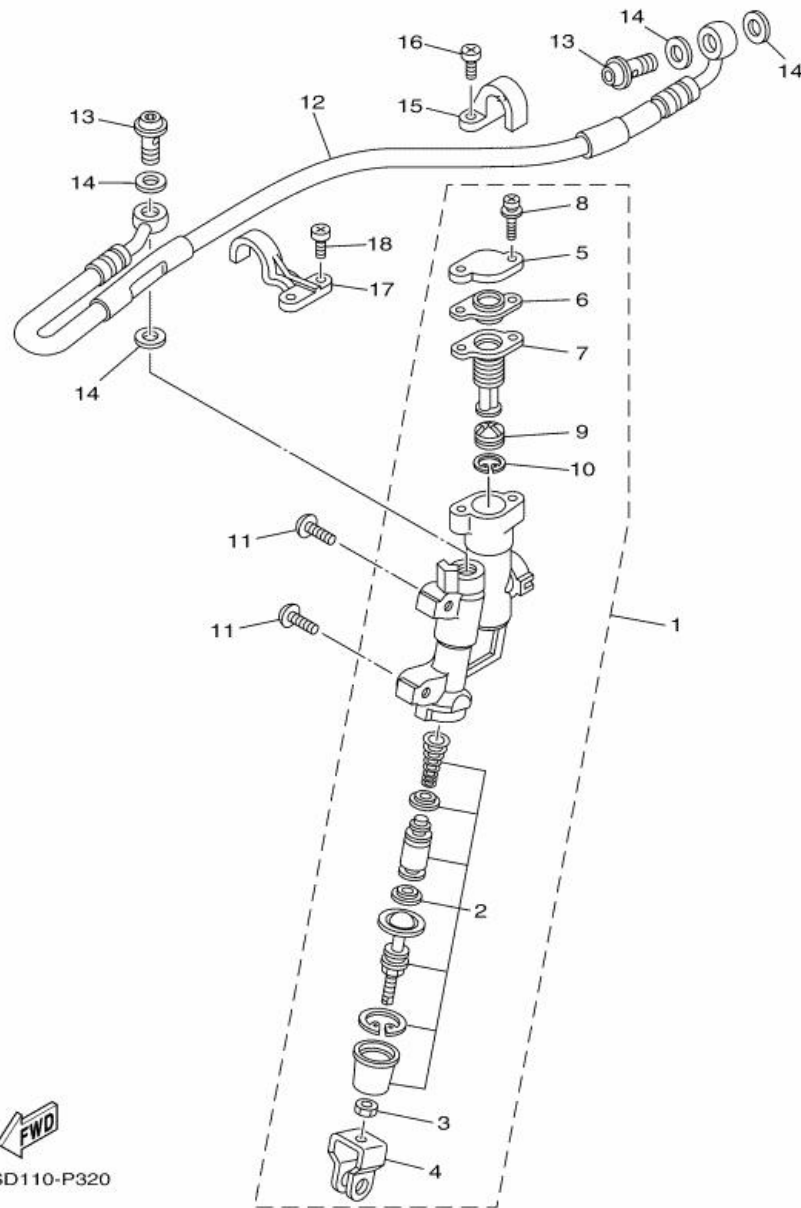


Fig. 32 REAR MASTER CYLINDER



Ref. No.	Part No.	Description		Remarks
1	17D-2583V-00	RR. MASTER CYLINDER ASSY.	1	
2	5UN-W0042-50	. CYLINDER KIT, MASTER	1	
3	5UN-27218-00	. NUT	1	
4	5UN-27222-00	. JOINT	1	
5	5UN-25852-50	. CAP, RESERVOIR	1	
6	5UN-2585B-00	. PLATE, DIAPHRAGM	1	
7	5UN-25854-00	. DIAPHRAGM, RESERVOIR	1	
8	5UN-27217-00	. BOLT	2	
9	5CG-25715-00	. SEPARATOR ASSY	1	
10	5CG-2585G-00	. CIRCLIP	1	
11	90111-06059	BOLT,HEX. SOCKET BUTTON	2	
12	5XC-25873-L0	HOSE, BRAKE 2	1	
13	90401-10172	BOLT, UNION	2	
14	90430-10005	GASKET	4	
15	1C3-25886-50	HOLDER, BRAKE HOSE	1	
16	98502-05010	SCREW, PAN HEAD	2	
17	1C3-25876-50	HOLDER, BRAKE HOSE 2	1	
18	98502-05010	SCREW, PAN HEAD	2	