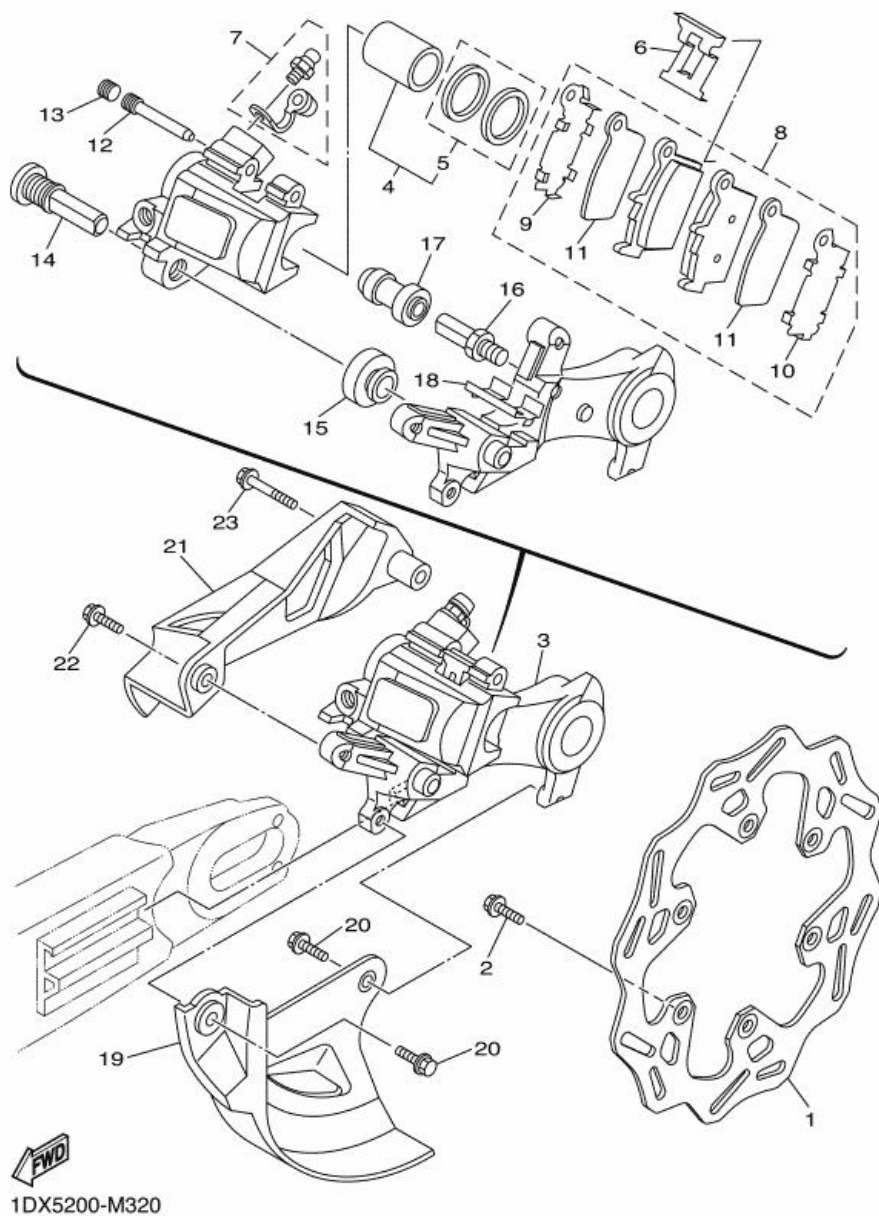


Fig. 28 REAR BRAKE CALIPER



Ref. No.	Part No.	Description		Remarks
	1 2S2-2582W-70	DISK, REAR BRAKE 2	1	
	2 90105-06108	BOLT, FLANGE	6	
	3 1C3-2580W-52	CALIPER ASSY, REAR 2	1	
	4 5UN-W0057-50	. PISTON ASSY, CALIPER	1	
	5 5UN-W0047-50	. . CALIPER SEAL KIT	1	
	6 5DH-25919-50	. SUPPORT, PAD	1	
	7 1UY-W0048-50	. BLEED SCREW KIT	1	
	8 1C3-W0046-50	. BRAKE PAD KIT 2	1	
	9 5UN-25828-60	. . SHIM, CALIPER	1	
	10 5UN-25827-60	. . SHIM, CALIPER	1	
	11 5UN-22898-60	. . INSULATOR, HEAT	2	
	12 8CR-25924-00	. PIN, PAD	1	
	13 5DH-25916-00	. PLUG	1	
	14 5DH-25914-50	. PIN, SLIDE	1	
	15 3JD-25917-00	. BOOT, CALIPER	1	
	16 5UN-25914-00	. PIN, SLIDE	1	
	17 1UY-25937-51	. BOOT 2	1	
	18 5UN-25913-00	. RETAINER	1	
	19 17D-25718-50	PROTECTOR, DISK BRAKE	1	
	20 90105-06110	BOLT, FLANGE	2	
	21 17D-27491-50	PROTECTOR	1	
	22 90105-06110	BOLT, FLANGE	1	
	23 90105-06111	BOLT, FLANGE	1	