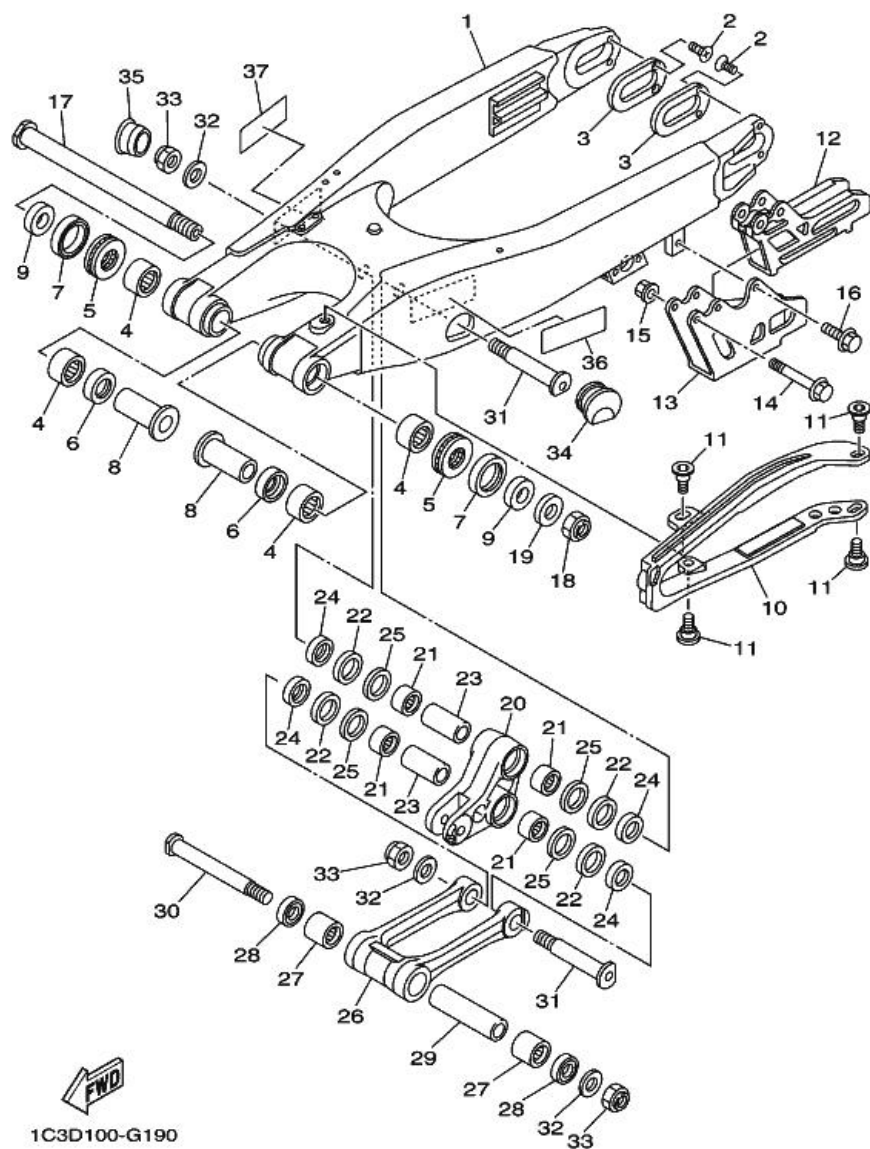
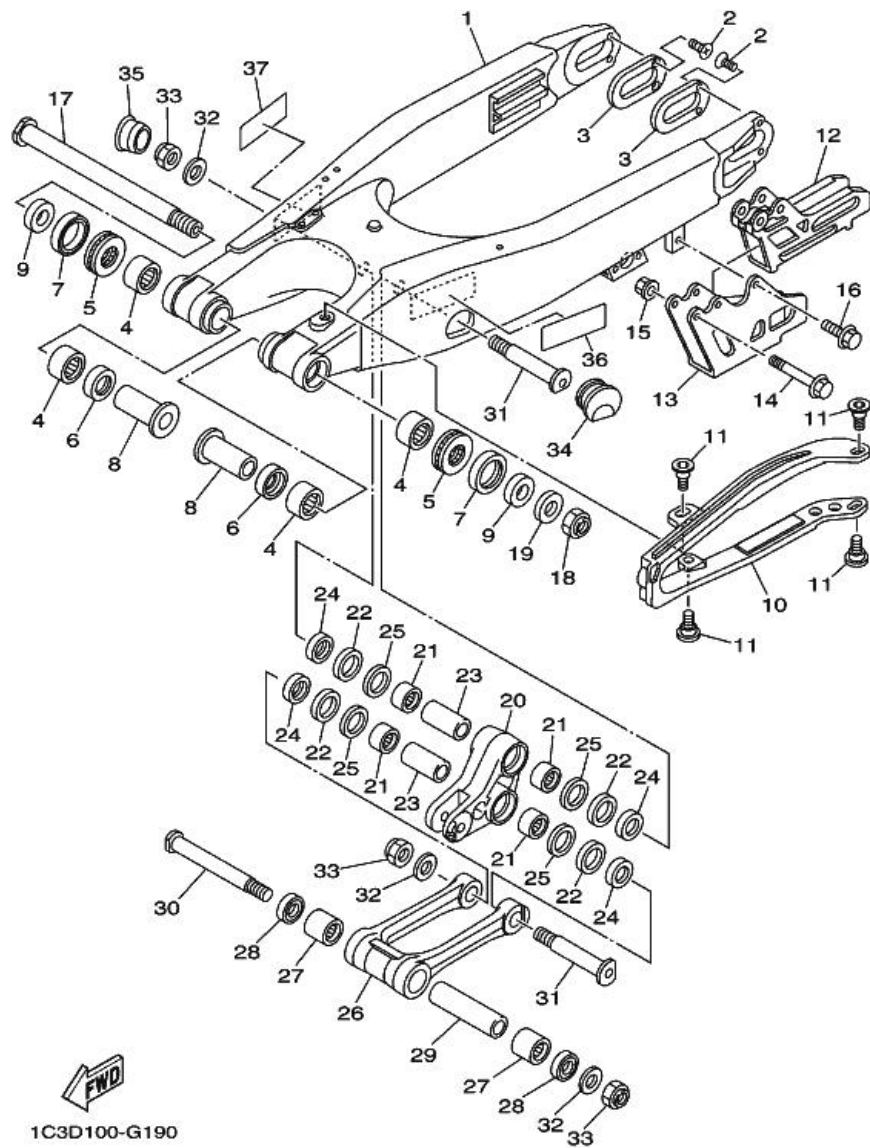


Fig. 19 REAR ARM



Ref. No.	Part No.	Description		Remarks
1	1C3-22110-90	REAR ARM COMP.	1	
2	90151-04003	SCREW, COUNTERSUNK	4	
3	1C3-22355-00	PATCH	2	
4	93317-22262	BEARING	4	
5	93342-22217	BEARING	2	
6	93106-22002	OIL SEAL	2	
7	93109-28043	OIL SEAL	2	
8	90387-18010	COLLAR	2	
9	90387-18012	COLLAR	2	
10	2S2-22151-70	SEAL, GUARD	1	
11	1C3-22969-90	SCREW, 1	4	
12	2S2-22199-70	SUPPORT, CHAIN	1	
13	2S2-22128-70	COVER, THRUST 1	1	
14	90105-06104	BOLT, FLANGE	2	
15	90179-06028	NUT	2	
16	90105-06105	BOLT, FLANGE	1	
17	1C3-22141-10	SHAFT, PIVOT	1	
18	90185-16002	NUT, SELF-LOCKING	1	
19	90201-16018	WASHER, PLATE	1	
20	1C3-2217A-00	ARM, RELAY	1	
21	93315-32166	BEARING	4	
22	93109-25001	OIL SEAL	4	
23	90387-16025	COLLAR	2	
24	90209-16011	WASHER	4	
25	90201-21014	WASHER, PLATE	4	
26	1C3-2217F-50	ROD, CONNECTING 1	1	
27	93315-32166	BEARING	2	

Fig. 19 REAR ARM



Ref. No.	Part No.	Description		Remarks
	28 93109-21001	OIL SEAL	2	
	29 90387-14016	COLLAR	1	
	30 1C3-22121-00	SHAFT 1	1	
	31 1C3-22122-00	SHAFT 2	2	
	32 90201-14020	WASHER, PLATE	3	
	33 90185-14010	NUT, SELF-LOCKING	3	
	34 1C3-2135F-00	COVER	1	
	35 1C3-2139R-00	COVER 2	1	