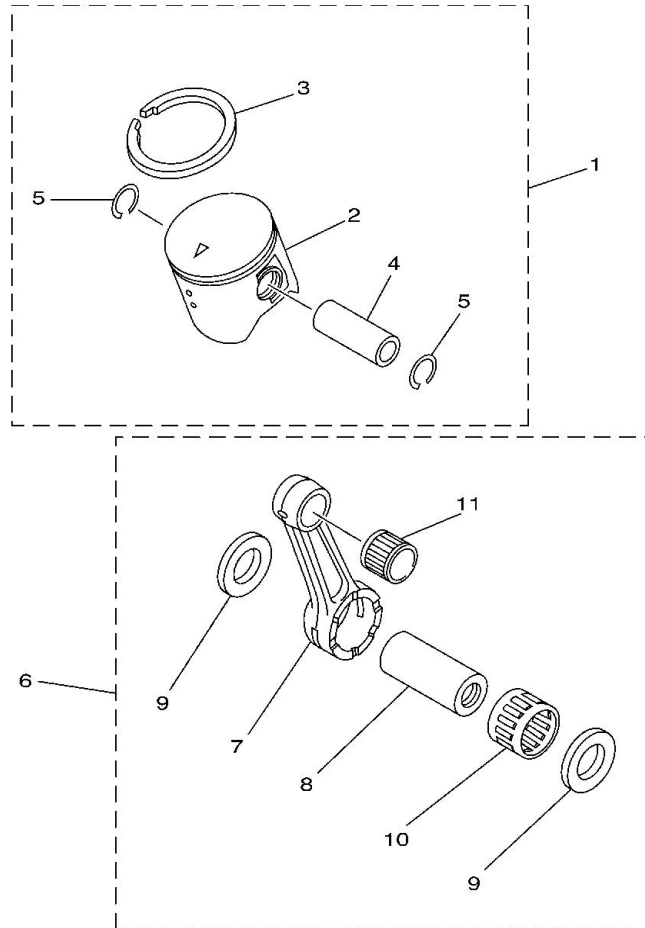


Fig. 37 OPTIONAL PARTS 1



Ref. No.	Part No.	Description	Remarks
1	1C3-11630-00	PISTON ASSY (STD)	1
2	1C3-11631-00-B0	. PISTON (STD)	1 ORANGE
3	5NY-11611-00	. RING, PISTON	1
4	1C3-11633-00	. PIN, PISTON	1
5	93450-16068	. CIRCLIP	2
<hr/>			
6	1C3-11650-00	CONNECTING ROD ASSY	1
7	1C3-11651-00	. ROD, CONNECTING	1
8	3JD-11681-10	. PIN, CRANK 1	1
9	90209-22326	. WASHER	2
10	93310-52238	. BEARING	1
11	93310-21510	. BEARING	1
<hr/>			
<hr/>			
<hr/>			
<hr/>			
<hr/>			



5NY1100-A370