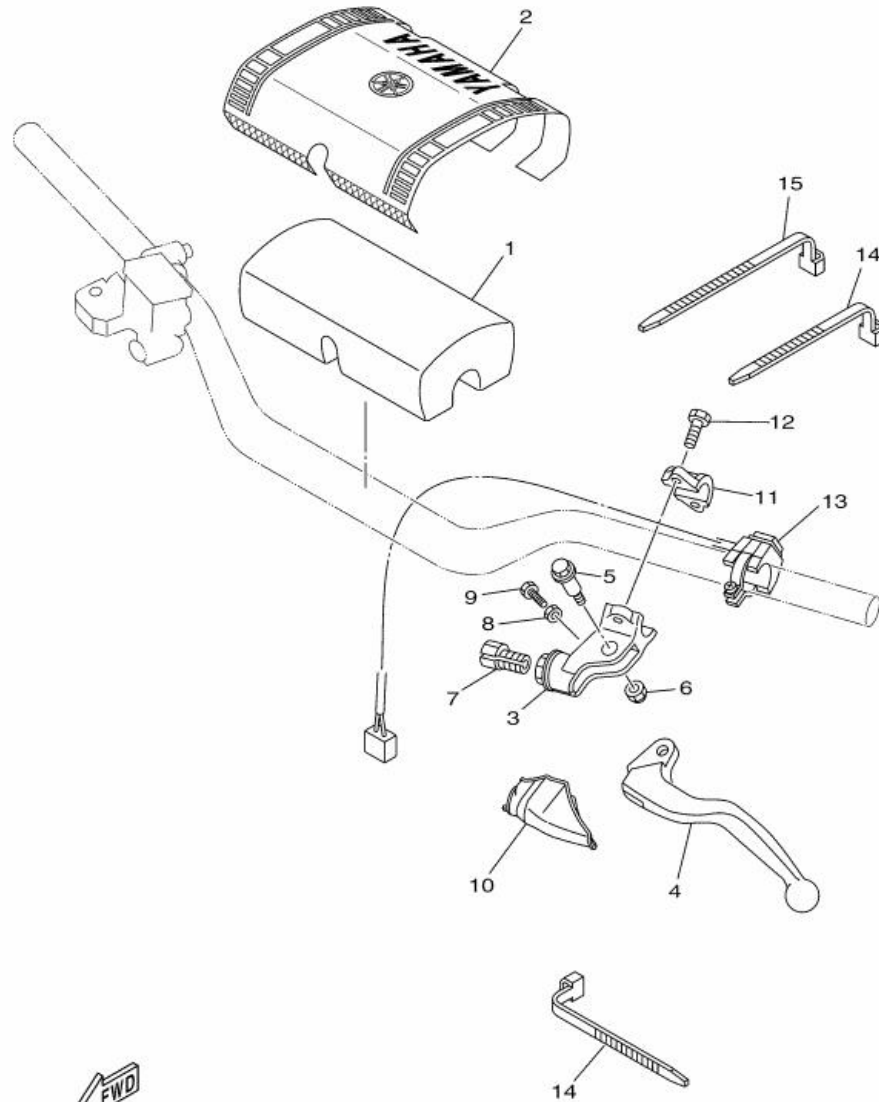


Fig. 34 HANDLE SWITCH & LEVER



Ref. No.	Part No.	Description		Remarks
1	5XC-26124-90	PROTECTOR, HANDLEBAR	1	
2	17D-26143-H0	COVER, HANDLE UPPER 1	1	
3	17D-82911-00	HOLDER, LEVER 1	1	
4	1SS-83912-00	LEVER 1	1	
5	90109-06034	BOLT	1	
6	5LP-84126-10	NUT, LENS FITTING	1	
7	17D-26337-00	BOLT, ADJUSTING	1	
8	95302-05600	NUT, HEXAGON	1	
9	90101-05005	BOLT	1	
10	34P-26372-00	COVER, HANDLE LEVER 1	1	
11	33D-82913-00	HOLDER, LEVER LOWER 1	1	
12	95022-06020	BOLT, FLANGE	2	
13	1C3-83976-00	SWITCH, HANDLE 1	1	
14	90464-13077	CLAMP	2	
15	90464-13073	CLAMP	1	