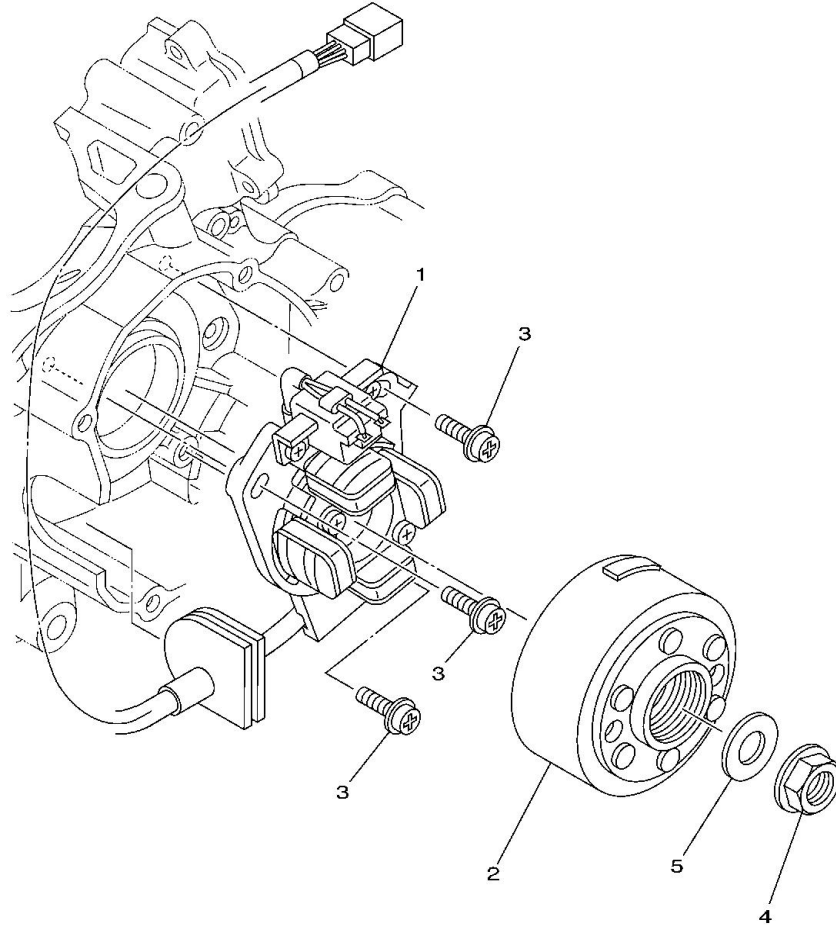


Fig. 33 GENERATOR



1C31100-D330

Ref. No.	Part No.	Description		Remarks
1	1C3-85560-10	BASE ASSY	1	
2	1C3-85550-01	ROTOR ASSY	1	
3	90149-06108	SCREW	3	
4	90179-12004	NUT	1	
5	90201-127E1	WASHER, PLATE	1	
<hr/>				
<hr/>				
<hr/>				
<hr/>				
<hr/>				
<hr/>				
<hr/>				
<hr/>				
<hr/>				