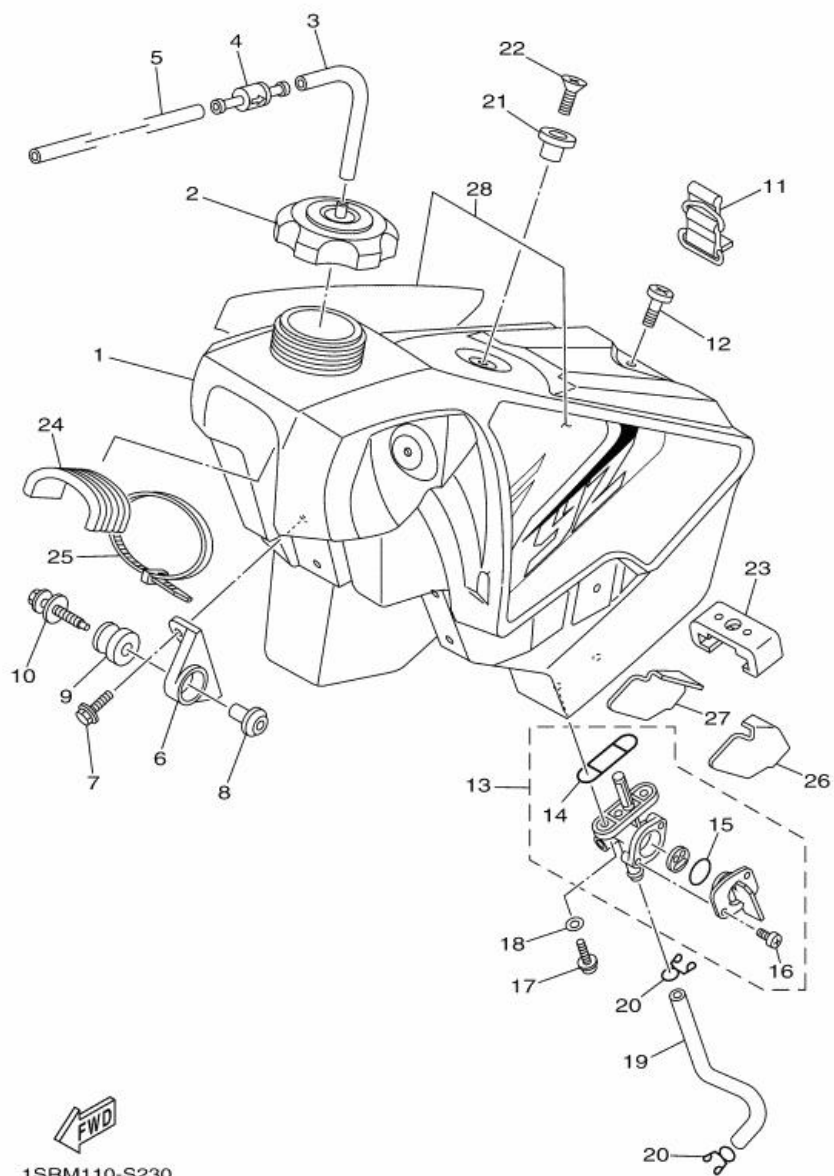
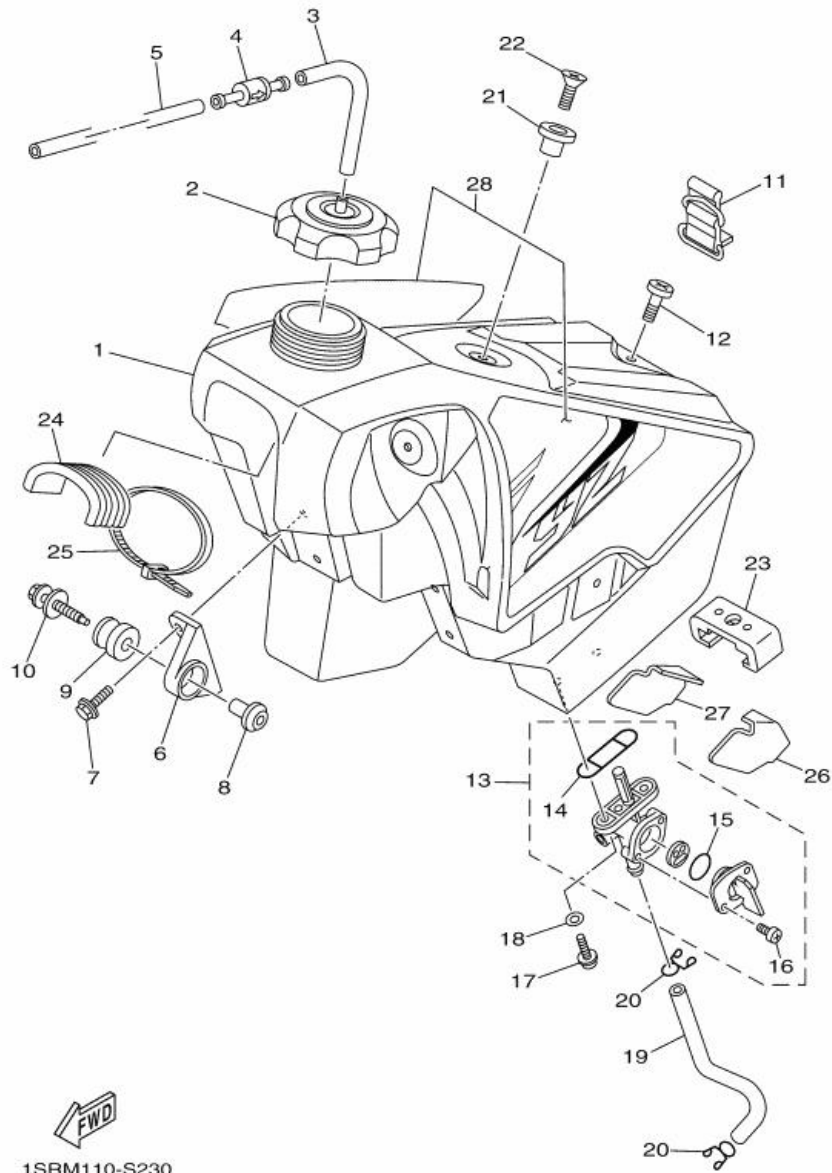


Fig. 23 FUEL TANK



Ref. No.	Part No.	Description		Remarks
1	1C3-24110-90	FUEL TANK COMP.	1	
2	5NY-24610-10	CAP ASSY	1	
3	90445-09003	HOSE (L30)	1	
4	3XJ-24380-00	PIPE JOINT ASSY	1	
5	90445-09005	HOSE	1	
<hr/>				
6	5XE-24144-00	HOLDER, DAMPER	2	
7	90105-06107	BOLT, FLANGE	4	
8	5NY-24186-00	WASHER, SPECIAL	2	
9	90480-18549	GROMMET	2	
10	5XE-24176-10	BOLT 1	2	
<hr/>				
11	3SP-24173-00	BAND, TANK FITTING 1	1	
12	98902-06025	SCREW, BIND	1	
13	3JD-24500-20	FUEL COCK ASSY 1	1	
14	4X8-24512-10	. GASKET	1	
15	3AJ-24534-10	. SEAL, COCK	1	
<hr/>				
16	98502-03008	. SCREW, PAN HEAD	2	
17	90149-06108	SCREW	2	
18	90202-05193	WASHER, PLATE	2	
19	90445-111J0	HOSE (L145)	1	
20	90467-100A1	CLIP	2	
<hr/>				
21	4EW-2412F-00	BRACKET, SEAT	1	
22	98702-06025	SCREW, FLAT HEAD	1	
23	1C3-24181-00	DAMPER, LOCATING 1	1	
24	1C3-24182-00	DAMPER, LOCATING 2	1	
25	90465-13275	CLAMP	1	
<hr/>				
26	1C3-24183-00	DAMPER, LOCATING 3	1	
27	1C3-24184-00	DAMPER, LOCATING 4	1	

Fig. 23 FUEL TANK



1SRM110-S230

Ref. No.	Part No.	Description		Remarks
28	1SS-24240-20	GRAPHIC SET	1	