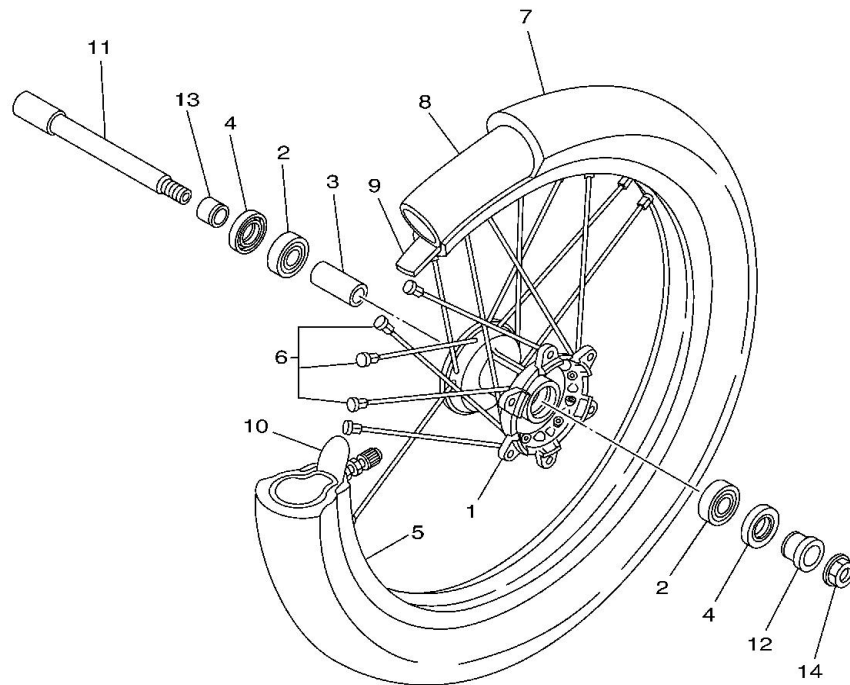


Fig. 25 FRONT WHEEL



Ref. No.	Part No.	Description		Remarks
	1 5NY-25111-00	HUB, FRONT	1	
	2 93306-90409	BEARING	2	
	3 5NY-25117-00	SPACER, BEARING	1	
	4 93102-26468	OIL SEAL	2	
	5 94416-21056	RIM (1.60-21)	1	
<hr style="border-top: 1px dashed black;"/>				
	6 5NY-25104-00	SPOKE SET, FRONT	1	
	7 94108-21053	TIRE (80/100-21 51M MX52F)	1	DUNLOP
	8 94227-21101	TUBE (80/100-21 M/C TR4)	1	DUNLOP
	9 94309-21161	BAND, RIM (22-21)	1	DUNLOP
	10 5SF-25394-00	SPACER, BEAD	1	
<hr style="border-top: 1px dashed black;"/>				
	11 5XC-25181-G0	AXLE, WHEEL	1	
	12 5XC-25183-G0	COLLAR, WHEEL	1	
	13 5XC-25186-G0	COLLAR, WHEEL	1	
	14 90179-16011	NUT	1	
<hr style="border-top: 1px dashed black;"/>				
<hr style="border-top: 1px dashed black;"/>				
<hr style="border-top: 1px dashed black;"/>				
<hr style="border-top: 1px dashed black;"/>				



1C31100-D250