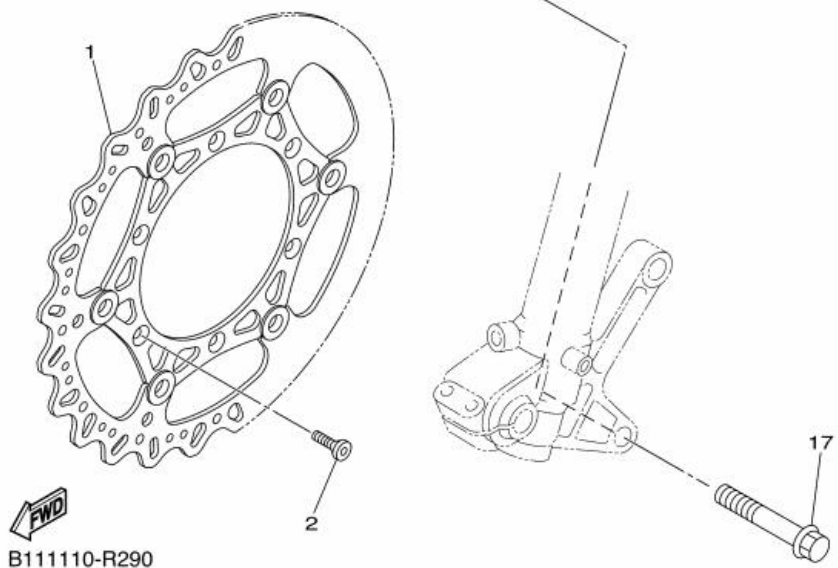
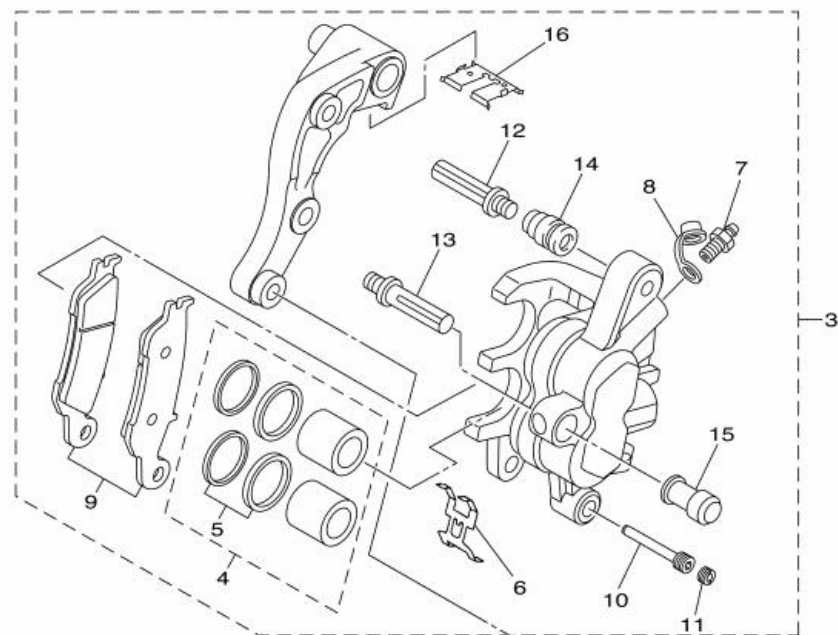


Fig. 26 FRONT BRAKE CALIPER



Ref. No.	Part No.	Description		Remarks
1	B11-2581T-00	DISK BRAKE ASSY	1	
2	90151-06051	SCREW, COUNTERSUNK	6	
3	B11-2580T-00	CALIPER ASSY (LEFT)	1	
4	5XC-25802-00	. PISTON ASSY, CALIPER	1	
5	5KM-25803-10	. . CALIPER SEAL KIT	1	
6	5DH-25919-00	. SUPPORT, PAD	1	
7	1UY-25824-51	. SCREW, BLEED	1	
8	1UY-25825-51	. CAP	1	
9	B29-25805-00	. BRAKE PAD KIT	1	
10	5DH-25933-00	. PIN, PAD	1	
11	5DH-25916-00	. PLUG	1	
12	3SP-25926-51	. BOLT	1	
13	3SP-25914-51	. PIN, SLIDE	1	
14	3JD-25917-00	. BOOT, CALIPER	1	
15	1UY-25937-51	. BOOT 2	1	
16	5XC-25849-G0	. RETAINER, CALIPER	1	
17	90105-08137	BOLT, FLANGE	2	