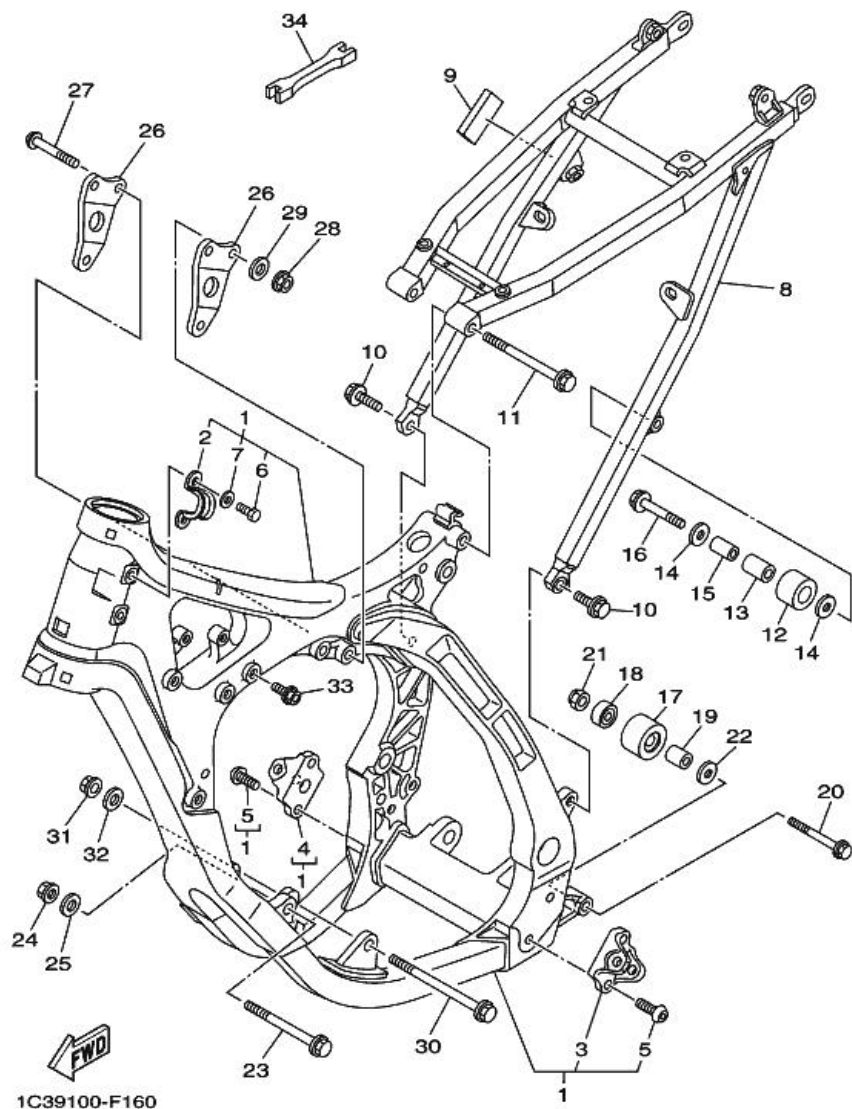
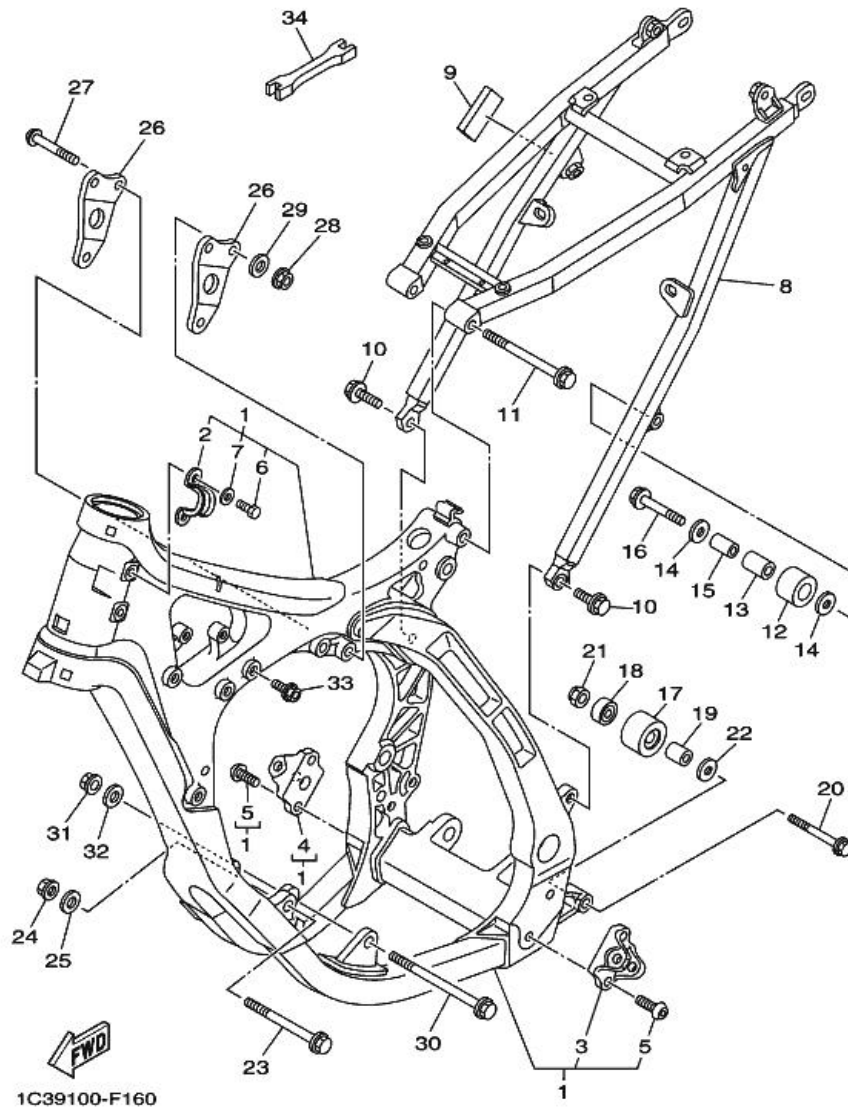


Fig. 16 FRAME



| Ref. No. | Part No. | Description | | Remarks |
|----------|--------------|-------------------------|---|---------|
| 1 | 1SR-21101-00 | FRONT FRAME COMP. | 1 | |
| 2 | 1C3-21336-00 | . CLAMP, WIRE HARNESS 2 | 1 | |
| 3 | 1C3-21447-10 | . BRACKET, FOOTREST | 1 | |
| 4 | 1C3-21448-10 | . BRACKET, FOOTREST | 1 | |
| 5 | 90149-10031 | . SCREW | 4 | |
| <hr/> | | | | |
| 6 | 97004-05012 | . BOLT | 2 | |
| 7 | 92904-05600 | . WASHER | 2 | |
| 8 | 1SS-21190-00 | REAR FRAME COMP. | 1 | |
| 9 | 5GJ-21717-00 | DAMPER | 1 | |
| 10 | 90105-08085 | BOLT, FLANGE | 2 | |
| <hr/> | | | | |
| 11 | 90105-08132 | BOLT, FLANGE | 1 | |
| 12 | 30X-22178-00 | TENSIONER | 1 | |
| 13 | 4V4-22184-00 | BUSH | 1 | |
| 14 | 90201-08045 | WASHER, PLATE | 2 | |
| 15 | 90387-08041 | COLLAR | 1 | |
| <hr/> | | | | |
| 16 | 95022-08040 | BOLT, FLANGE | 1 | |
| 17 | 3JD-22178-20 | TENSIONER | 1 | |
| 18 | 93300-60839 | BEARING | 1 | |
| 19 | 90387-086N4 | COLLAR | 1 | |
| 20 | 95024-08060 | BOLT, FLG.(SMALL HEAD) | 1 | |
| <hr/> | | | | |
| 21 | 90185-08009 | NUT, SELF-LOCKING | 1 | |
| 22 | 90201-08043 | WASHER, PLATE | 1 | |
| 23 | 90105-10175 | BOLT, FLANGE | 1 | |
| 24 | 90179-10658 | NUT | 1 | |
| 25 | 92902-10200 | WASHER | 1 | |
| <hr/> | | | | |
| 26 | 1C3-21425-00 | BRACKET, REAR UPPER 1 | 2 | |
| 27 | 90111-08028 | BOLT,HEX. SOCKET BUTTON | 3 | |

Fig. 16 FRAME



| Ref. No. | Part No. | Description | | Remarks |
|----------|-----------------|-----------------|---|---------|
| | 28 90179-08674 | NUT | 3 | |
| | 29 90201-08055 | WASHER, PLATE | 3 | |
| | 30 90105-10176 | BOLT, FLANGE | 1 | |
| | 31 90179-10658 | NUT | 1 | |
| | 32 92902-10200 | WASHER | 1 | |
| <hr/> | | | | |
| | 33 1C3-21244-10 | NUT | 2 | |
| | 34 5ET-28166-10 | WRENCH, HEXAGON | 1 | |
| <hr/> | | | | |
| <hr/> | | | | |
| <hr/> | | | | |
| <hr/> | | | | |
| <hr/> | | | | |
| <hr/> | | | | |
| <hr/> | | | | |
| <hr/> | | | | |
| <hr/> | | | | |