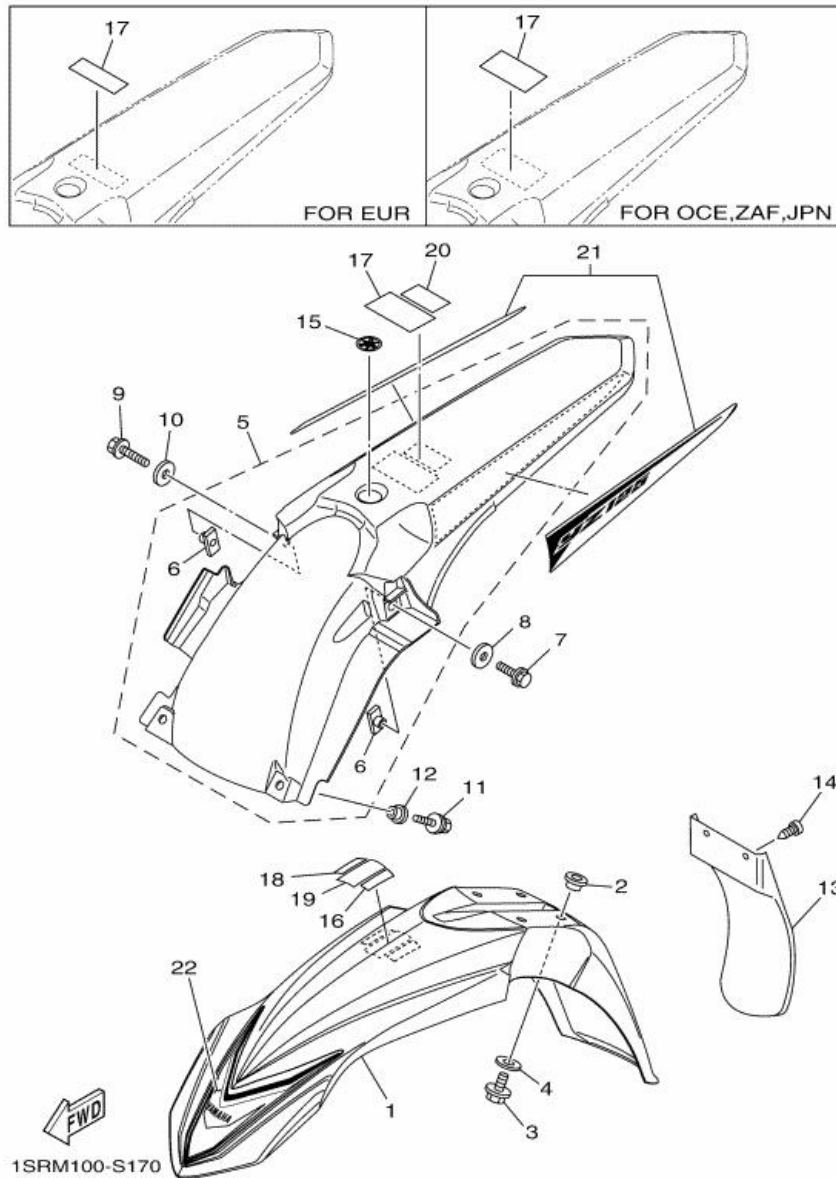


Fig. 17 FENDER



Ref. No.	Part No.	Description		Remarks
1	17D-21511-50	FENDER, FRONT	1	
2	90387-06259	COLLAR	4	
3	90105-06127	BOLT, FLANGE	4	
4	90201-06108	WASHER, PLATE	4	
5	1SS-21610-00	REAR FENDER COMP.	1	
6	5XE-21635-10	. NUT, REAR FENDER	2	
7	90105-06099	BOLT, FLANGE	1	
8	90201-06032	WASHER, PLATE	1	
9	90105-06101	BOLT, FLANGE	1	
10	90201-06033	WASHER, PLATE	1	
11	90119-06149	BOLT, WITH WASHER	2	
12	90387-06009	COLLAR	2	
13	5TA-21642-00	GUARD, FLAP	1	
14	97702-60016	SCREW, TAPPING	2	
15	5FK-2175C-30	TUNING FORK MARK	1	
17	5PG-2816R-00	LABEL, WARNING GENERAL INFO.	1	
21	1SR-2165A-00	GRAPHIC SET,REAR FENDER	1	
22	B11-21569-00	GRAPHIC 1	1	