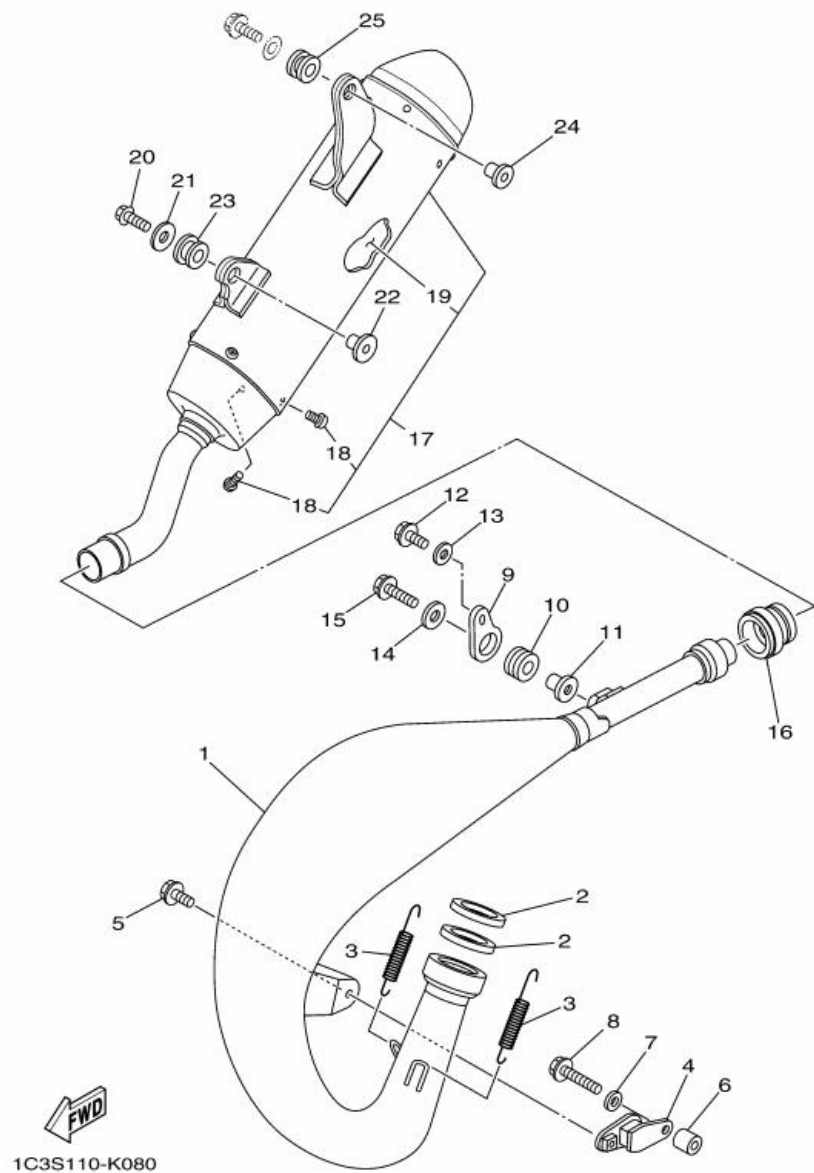


Fig. 08 EXHAUST



Ref. No.	Part No.	Description		Remarks
1	1C3-14610-00	EXHAUST PIPE ASSY 1	1	
2	5MV-14642-00	SEAL, EXHAUST	2	
3	90506-20018	SPRING, TENSION	2	
4	565-14771-00	STAY, MUFFLER 1	1	
5	95022-06012	BOLT, FLANGE	1	
6	1C3-14763-00	SPACER	1	
7	90201-06077	WASHER, PLATE	1	
8	95022-06025	BOLT, FLANGE	1	
9	5CU-14771-01	STAY, MUFFLER 1	1	
10	90480-16561	GROMMET	1	
11	90387-063G3	COLLAR	1	
12	95022-06014	BOLT, FLANGE	1	
13	90201-06078	WASHER, PLATE	1	
14	90201-06033	WASHER, PLATE	1	
15	95022-06025	BOLT, FLANGE	1	
16	4JY-14615-00	JOINT, EXHAUST 1	1	
17	1C3-14753-00	SILENCER, EXHAUST	1	
18	92012-06010	. BOLT, BUTTON HEAD	4	
19	1C3-1469A-00	. FIBER	1	
20	95022-06030	BOLT, FLANGE	1	
21	90201-06086	WASHER, PLATE	1	
22	90387-06121	COLLAR	1	
23	90480-17004	GROMMET	1	
24	90387-06039	COLLAR	1	
25	90480-16404	GROMMET	1	