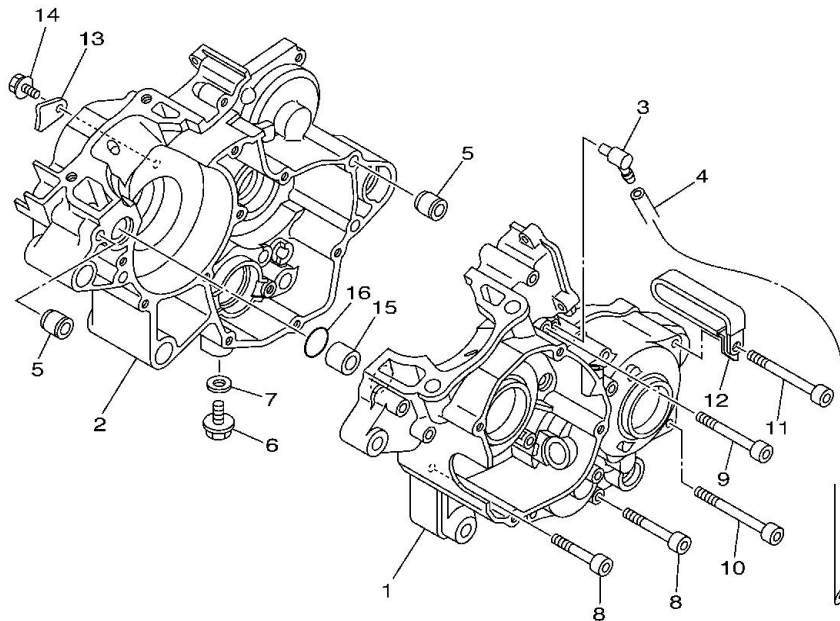
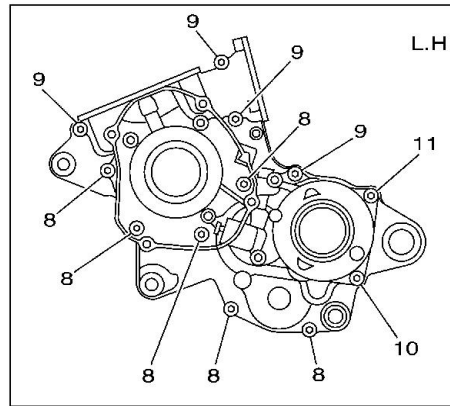


Fig. 09 CRANKCASE



1C31100-D090

Ref. No.	Part No.	Description		Remarks
1	1C3-15111-01	CRANKCASE 1	1	
2	1C3-15121-00	CRANKCASE 2	1	
3	353-13115-01	CONNECTOR, SUCTION PIPE	1	
4	90445-08605	HOSE	1	
5	99530-10116	PIN, DOWEL	2	
<hr/>				
6	95022-10016	BOLT, FLANGE	1	
7	90430-10188	GASKET	1	
8	91312-06045	BOLT	6	
9	91312-06055	BOLT	4	
10	91312-06065	BOLT	1	
<hr/>				
11	91312-06075	BOLT	1	
12	90461-10136	CLAMP	1	
13	4V4-15118-00	HOLDER	1	
14	90105-06085	BOLT, FLANGE	1	
15	99590-17016	PIN, DOWEL	1	
<hr/>				
16	93210-16314	O-RING	1	
<hr/>				
<hr/>				
<hr/>				