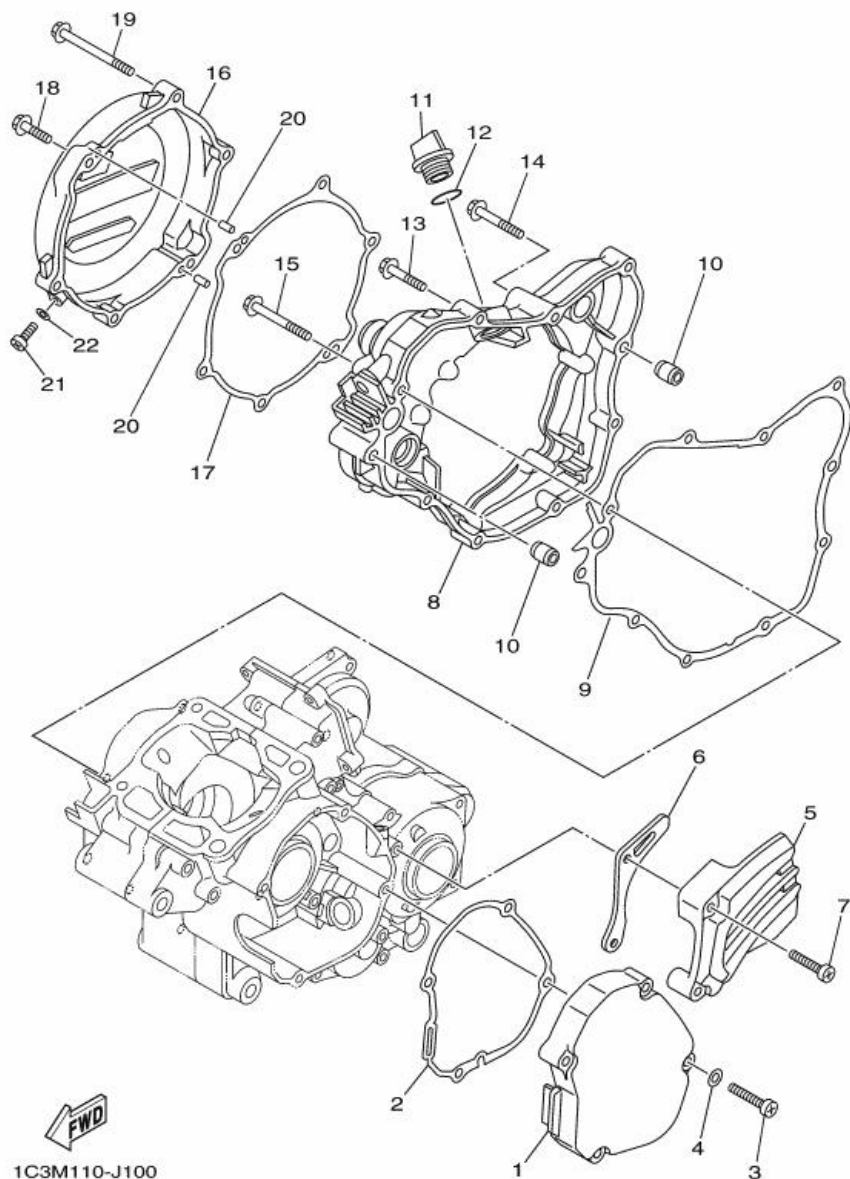


Fig. 10 CRANKCASE COVER 1



Ref. No.	Part No.	Description		Remarks
1	1C3-15411-10	COVER, CRANKCASE 1	1	
2	1C3-15451-00	GASKET, CRANKCASE COVER 1	1	
3	92502-06030	SCREW, PAN HEAD	4	
4	92902-06600	WASHER, PLATE	4	
5	1C3-15421-10	COVER, CRANKCASE 2	1	
<hr/>				
6	1C3-17466-00	GUIDE, CHAIN	1	
7	98502-06030	SCREW, PAN HEAD	2	
8	1C3-15431-01	COVER, CRANKCASE 3	1	
9	1C3-15462-00	GASKET, CRANKCASE COVER 3	1	
10	99530-08016	PIN, DOWEL	2	
<hr/>				
11	3Y1-15363-10	PLUG, OIL	1	
12	93210-19123	O-RING	1	
13	95022-06030	BOLT, FLANGE	6	
14	95022-06040	BOLT, FLANGE	1	
15	95022-06050	BOLT, FLANGE	1	
<hr/>				
16	1C3-15415-10	COVER, 1	1	
17	1C3-15463-00	GASKET, 2	1	
18	95022-06065	BOLT, FLANGE	1	
19	95022-06025	BOLT, FLANGE	5	
20	93604-10011	PIN, DOWEL	2	
<hr/>				
21	92012-06012	BOLT, BUTTON HEAD	1	
22	90430-06014	GASKET	1	
<hr/>				