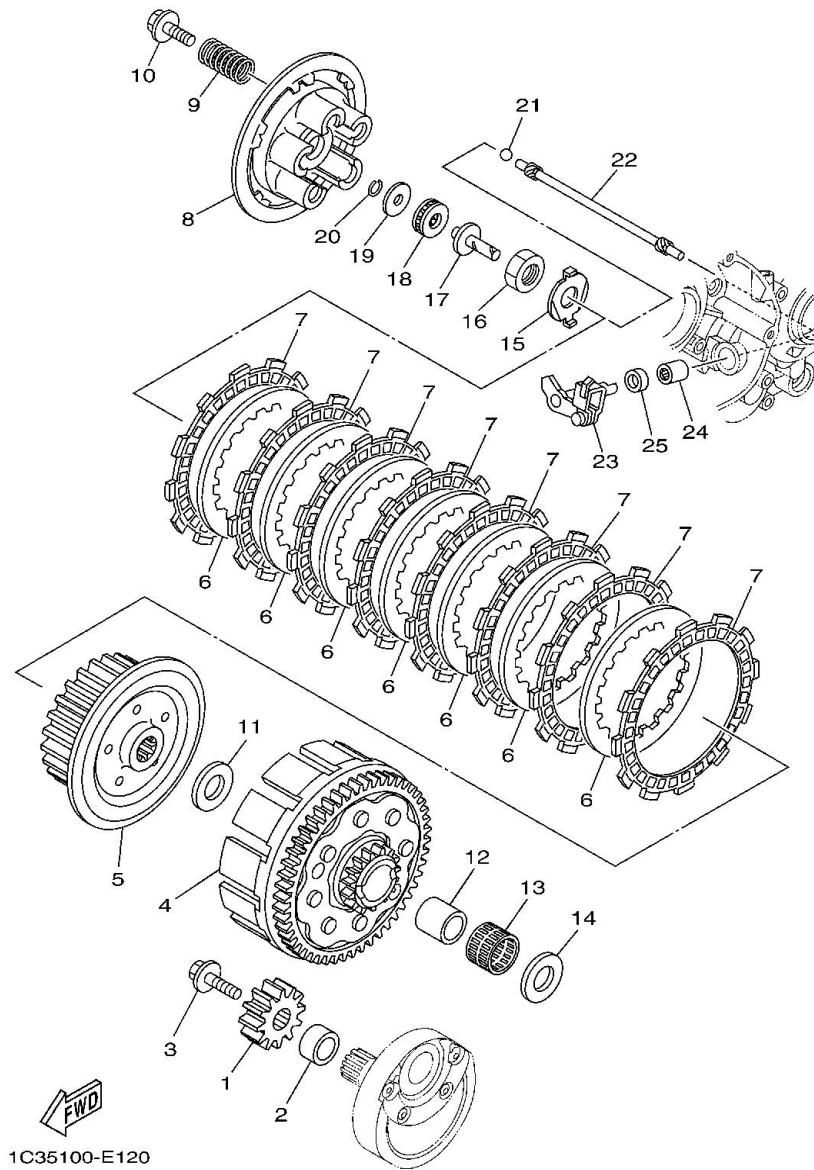


Fig. 12 CLUTCH



Ref. No.	Part No.	Description		Remarks
1	1C3-16111-00	GEAR, PRIMARY DRIVE	1	
2	90387-172K2	COLLAR	1	
3	90105-08071	BOLT, FLANGE	1	
4	1C3-16150-00	PRIMARY DRIVEN GEAR COMP.	1	
5	5NY-16371-00	BOSS, CLUTCH	1	
<hr/>				
6	3XJ-16324-01	PLATE, CLUTCH 1	7	
7	3XJ-16321-00	PLATE, FRICTION	8	
8	5HD-16351-00	PLATE, PRESSURE 1	1	
9	90501-23598	SPRING, COMPRESSION	5	
10	90159-06016	SCREW, WITH WASHER	5	
<hr/>				
11	90201-20611	WASHER, PLATE	1	
12	1C3-16181-00	SPACER 1	1	
13	93310-22539	BEARING	1	
14	90201-20611	WASHER, PLATE	1	
15	90215-16289	WASHER, LOCK	1	
<hr/>				
16	90170-16326	NUT	1	
17	5NL-16356-00	ROD, PUSH 1	1	
18	93340-21008	BEARING	1	
19	90201-080H1	WASHER, PLATE	1	
20	93440-07182	CIRCLIP	1	
<hr/>				
21	93511-32027	BALL	1	
22	1C3-16357-10	ROD, PUSH 2	1	
23	1C3-16380-00	PUSH LEVER ASSY	1	
24	93315-11040	BEARING	1	
25	93102-10008	OIL SEAL	1	
<hr/>				