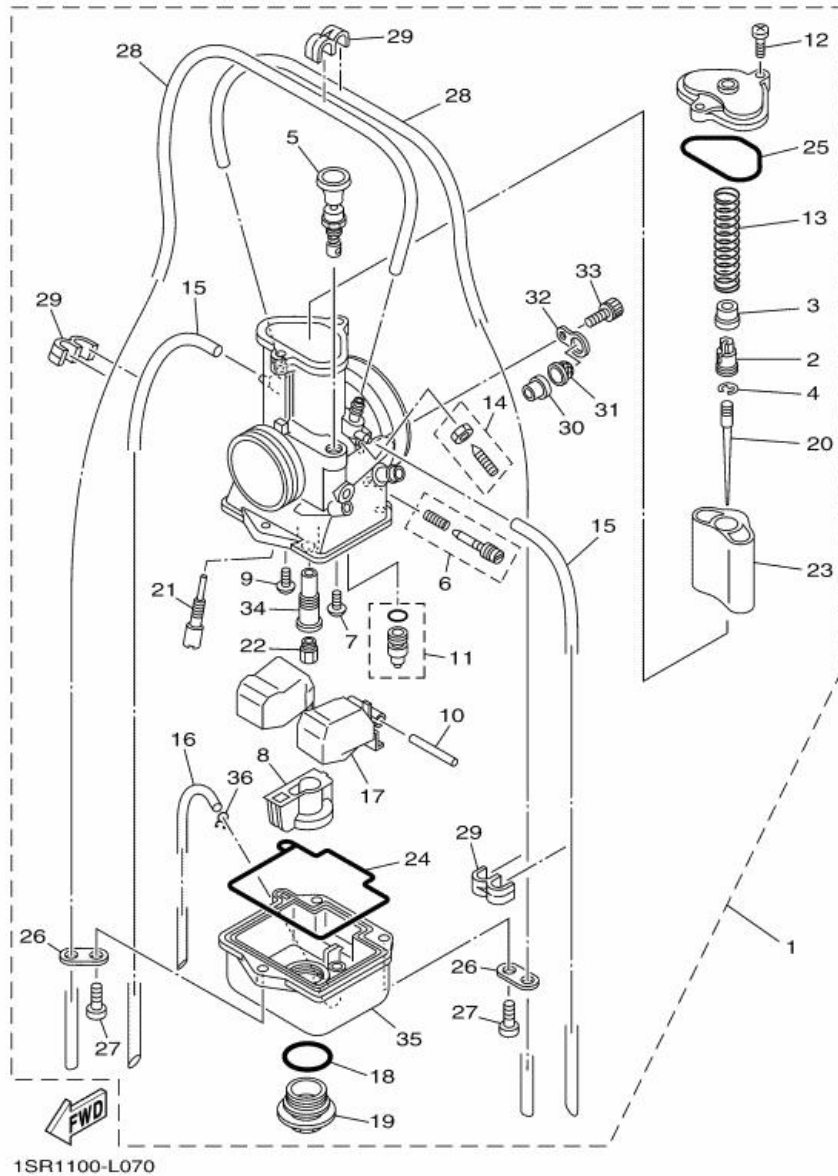
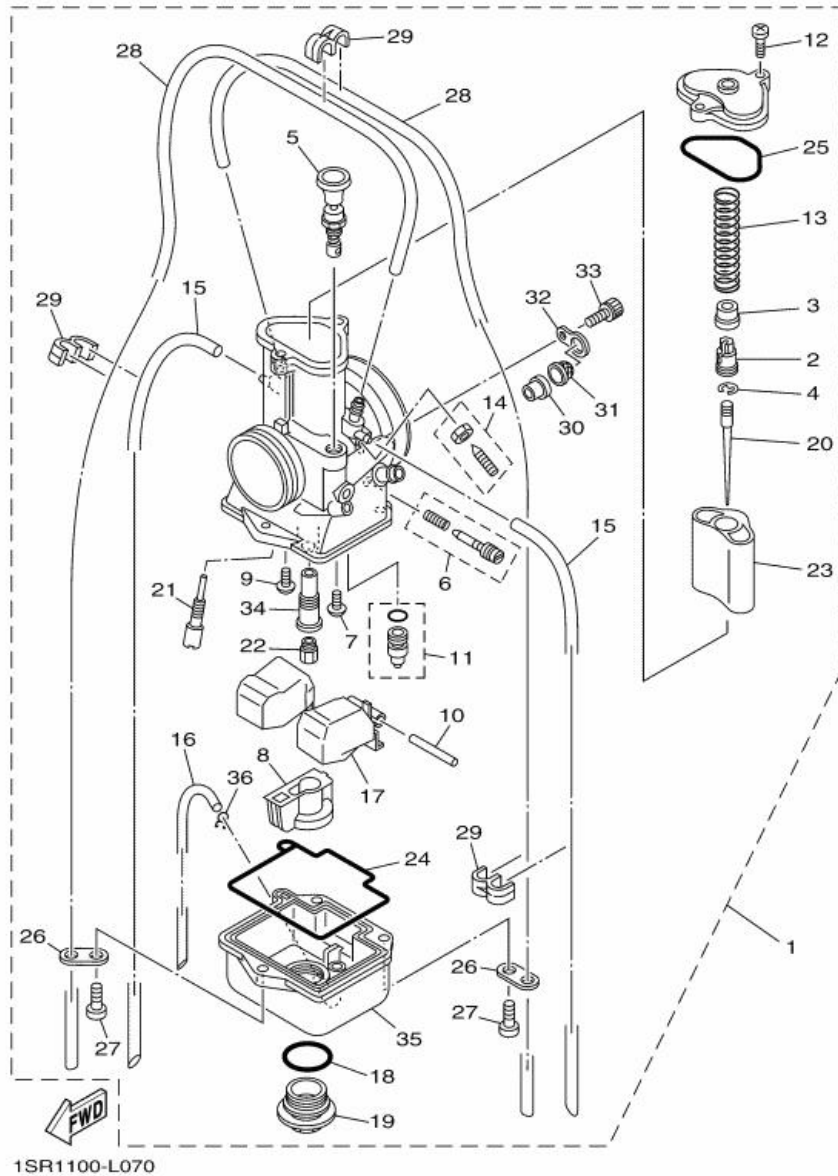


Fig. 07 CARBURETOR



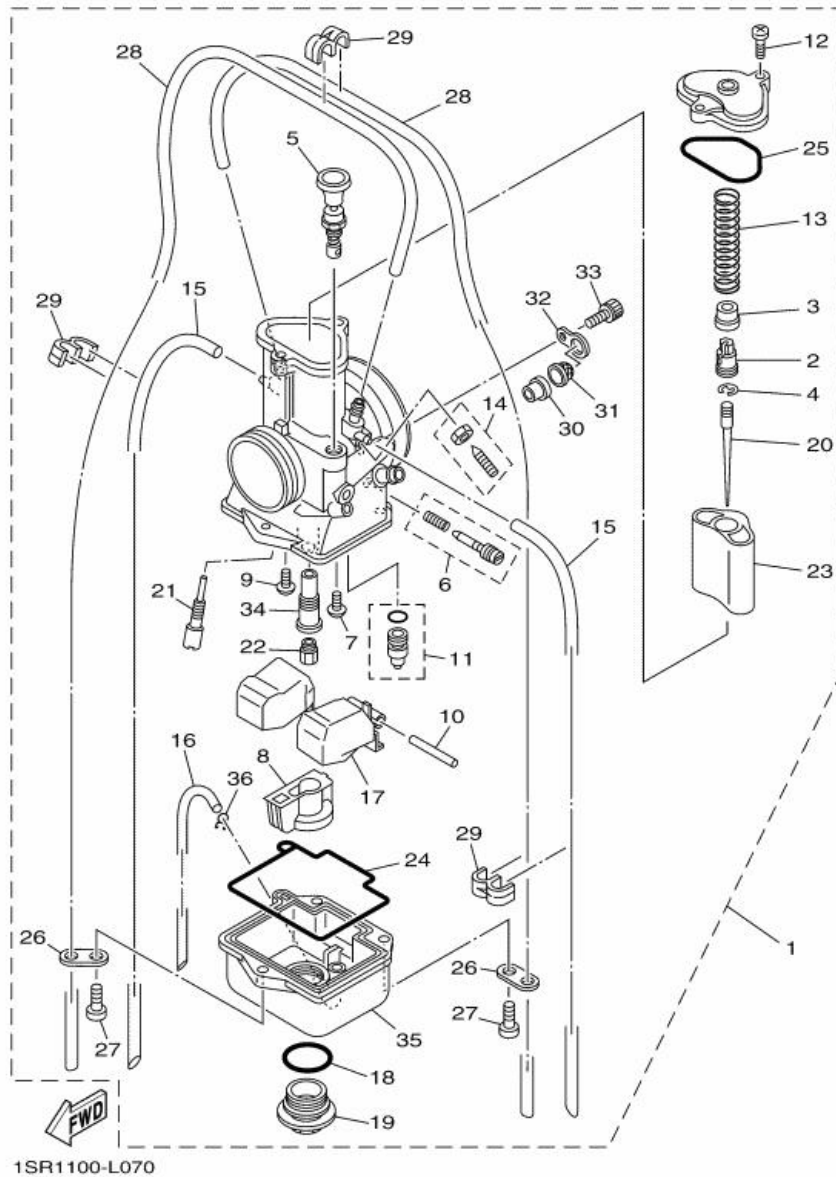
Ref. No.	Part No.	Description	Quantity	Remarks
1	1C3-14101-41	CARBURETOR ASSY 1	1	
2	5HD-14261-00	. HOLDER	1	
3	4PE-14194-00	. RING	1	
4	3MA-14159-00	. CLIP	1	
5	3JE-14171-00	. PLUNGER, STARTER	1	
6	5UN-14104-00	. AIR SCREW SET	1	
7	1FN-14565-00	. SCREW	1	
8	5ET-14261-01	. HOLDER	1	
9	98507-04008	. SCREW, PAN HEAD	1	
10	353-14186-00	. PIN, FLOAT	1	
11	4PE-14107-38	. NEEDLE VALVE SET	1	
12	98507-04014	. SCREW, PAN HEAD	2	
13	4PE-14131-00	. SPRING, THROTTLE VALVE	1	
14	4PE-14103-00	. THROTTLE SCREW SET	1	
15	5ET-14197-00	. PIPE	2	
16	10V-14196-00	. PIPE, OVER FLOW 1	1	
17	5ET-14185-00	. FLOAT	1	
18	2K6-14147-00	. O-RING	1	
19	5ET-14115-00	. PLUG, SCREW	1	
20	284-14116-J4	. NEEDLE (6BFY43-74)	1	STD
	284-14116-H2	. NEEDLE (6BFY42-72)	1	AP
	284-14116-H3	. NEEDLE (6BFY42-73)	1	AP
	284-14116-H4	. NEEDLE (6BFY42-74)	1	AP
	284-14116-H5	. NEEDLE (6BFY42-75)	1	AP
	284-14116-H6	. NEEDLE (6BFY42-76)	1	AP
	284-14116-J2	. NEEDLE (6BFY43-72)	1	AP
	284-14116-J3	. NEEDLE (6BFY43-73)	1	AP

Fig. 07 CARBURETOR



Ref. No.	Part No.	Description		Remarks
	284-14116-J5	. NEEDLE (6BFY43-75)	1	AP
	284-14116-J6	. NEEDLE (6BFY43-76)	1	AP
	284-14116-K2	. NEEDLE (6BFY44-72)	1	AP
	284-14116-K3	. NEEDLE (6BFY44-73)	1	AP
	284-14116-K4	. NEEDLE (6BFY44-74)	1	AP
	284-14116-K5	. NEEDLE (6BFY44-75)	1	AP
	284-14116-K6	. NEEDLE (6BFY44-76)	1	AP
	21 4KM-14142-45	. JET, PILOT (# 45)	1	STD
	4KM-14142-30	. JET, PILOT (# 30)	1	AP
	4KM-14142-32	. JET, PILOT (# 32.5)	1	AP
	4KM-14142-35	. JET, PILOT (# 35)	1	AP
	4KM-14142-37	. JET, PILOT (# 37.5)	1	AP
	4KM-14142-40	. JET, PILOT (# 40)	1	AP
	4KM-14142-42	. JET, PILOT (# 42.5)	1	AP
	4KM-14142-47	. JET, PILOT (# 47.5)	1	AP
	4KM-14142-50	. JET, PILOT (# 50)	1	AP
	22 137-14143-86	. JET, MAIN (#430)	1	STD
	137-14143-80	. JET, MAIN (#400)	1	AP
	137-14143-82	. JET, MAIN (#410)	1	AP
	137-14143-84	. JET, MAIN (#420)	1	AP
	137-14143-88	. JET, MAIN (#440)	1	AP
	137-14143-90	. JET, MAIN (#450)	1	AP
	137-14143-92	. JET, MAIN (#460)	1	AP
	137-14143-94	. JET, MAIN (#470)	1	AP
	23 1C3-14112-40	. VALVE, THROTTLE 1 (4.0)	1	STD
	1C3-14112-42	. VALVE, THROTTLE 1 (4.25)	1	AP
	24 5ET-1416A-00	. O-RING	1	

Fig. 07 CARBURETOR



Ref. No.	Part No.	Description		Remarks
	25 5ET-14147-00	. O-RING	1	
	26 51R-14146-00	. PLATE	2	
	27 98502-05014	. SCREW, PAN HEAD	3	
	28 2HH-14197-00	. PIPE	2	
	29 87M-14137-00	. CLIP	3	
	30 5MV-14194-00	. RING	1	
	31 5MV-24514-00	. NET, FILTER 1	1	
	32 5MV-14146-00	. PLATE	1	
	33 5MV-14216-00	. SCREW	1	
	34 5MV-14261-00	. HOLDER	1	
	35 5NY-14181-00	. BODY, FLOAT CHAMBER 1	1	
	36 22F-14139-00	. CLIP, PIPE	1	